

GARDNER ENGINES



SPARE PARTS CATALOGUE

PRICE

10/-

Per Each Extra Copy

Illustrations



INDEX TO PLATES

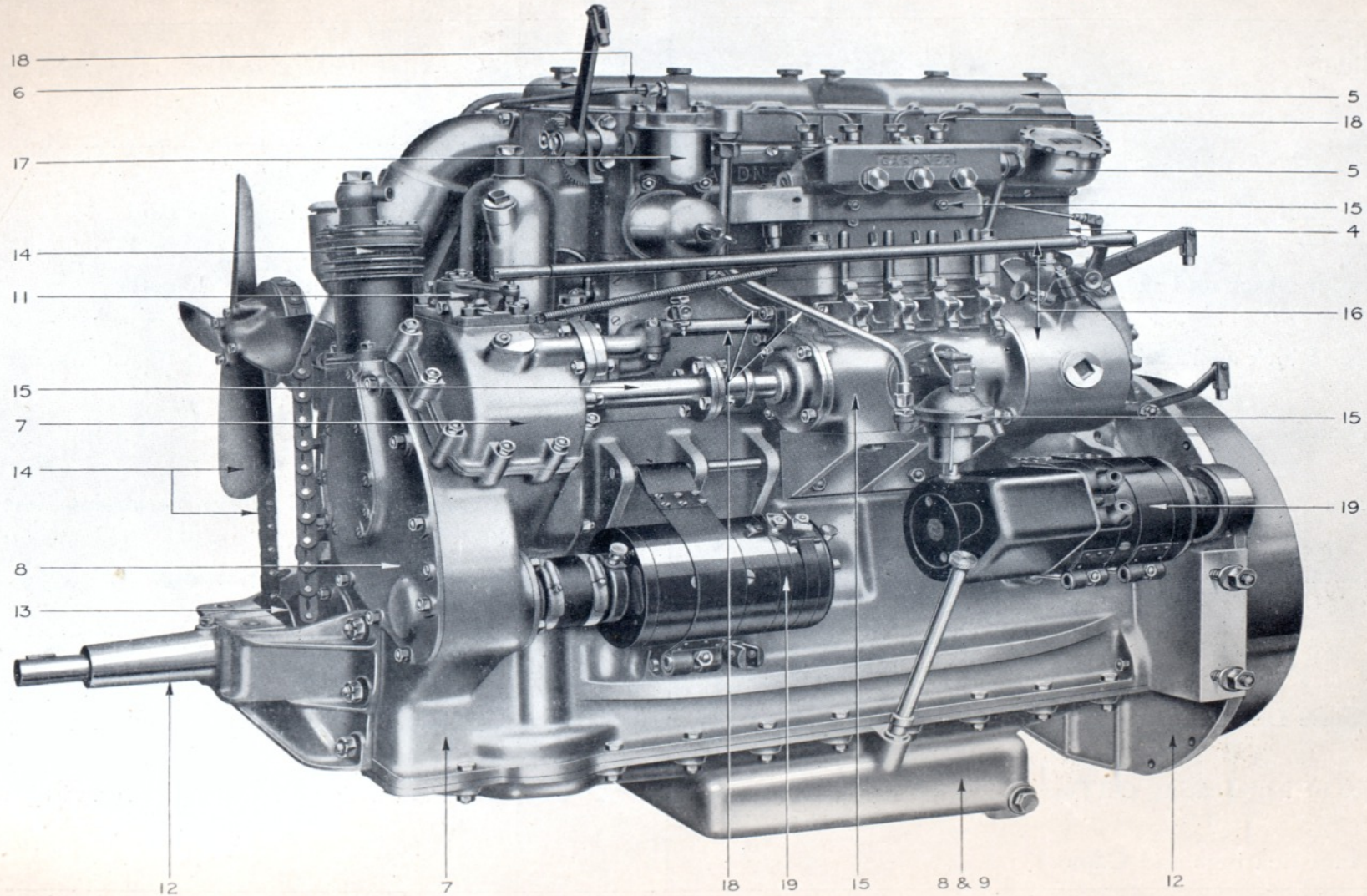
Plate No.	Description	Plate No.	Description
1	Engine—Near Side	11	Chain Drive, Valve Motion Work and Injection Control
2	Engine—Off Side	12	Crankcase End Plates, Forward Support and Starting Shaft Details
3	Engine—Cross Section	13	Crankshaft, Connecting Rod and Piston
4	Aluminium Cylinder Block and Head	14 & 14-1	Flywheel, Fan and Exhauster
4-1	Cast Iron Cylinder Block and Head	15	Fuel Pump, Fuel Pump Motion Work and Fuel Lift Pump
5 & 5-1	Cylinder Head Details	16	Governor
5-2	Air Filter Adapters	17 & 17-1	Lubricating Oil Pump, Strainers, Thermostat and Water Pump
6	Cylinder Head Details	17-2	Water Outlet Connections
7	Crankcase	18	Fuel and Lubricating Oil Pipes
8	Sump and Crankcase Details	19	Exhaust Silencer, Dynamo and Electric Starter
9	Alternative Types of Lubricating Oil Sumps	20	Standard Spares, Accessories and Spanners
10	Disposition of Main Bearings and Caps		

When Ordering it is **IMPORTANT** to quote the Number of the Engine, and also the Number of the Part.

GARDNER

NEAR SIDE VIEW OF LK ENGINE—PLATE 1

Nº 1 CYL. Nº 2 CYL. Nº 3 CYL. Nº 4 CYL.



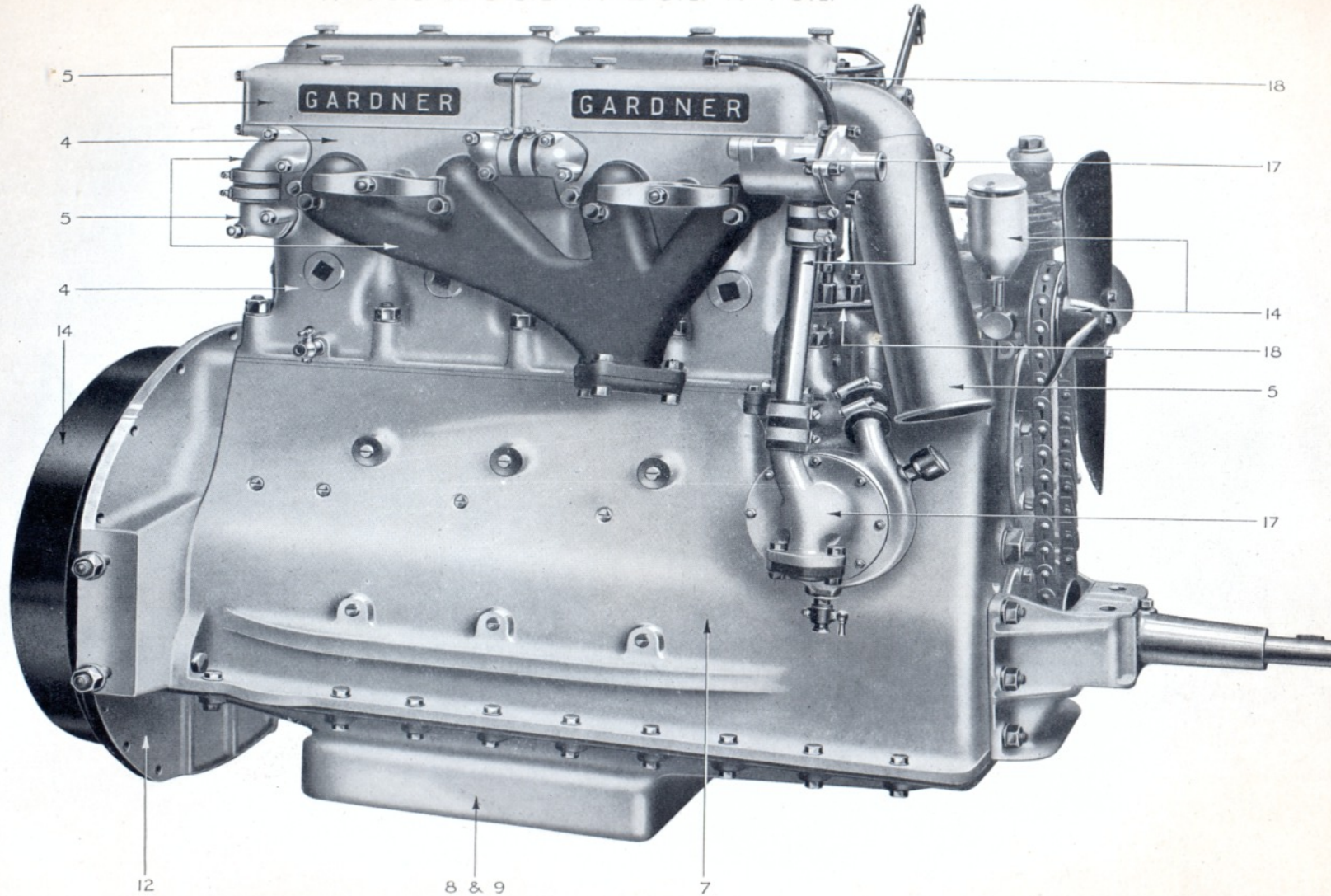
NOTE :—The numbers refer to Plates and not to Sections.

IMPORTANT :—This is a composite illustration embracing all states of design of the LK engine, and in no sense must it be regarded as a standard

GARDNER

OFF SIDE VIEW OF LK ENGINE—PLATE 2

Nº 4 CYL. Nº 3 CYL. Nº 2 CYL. Nº 1 CYL.

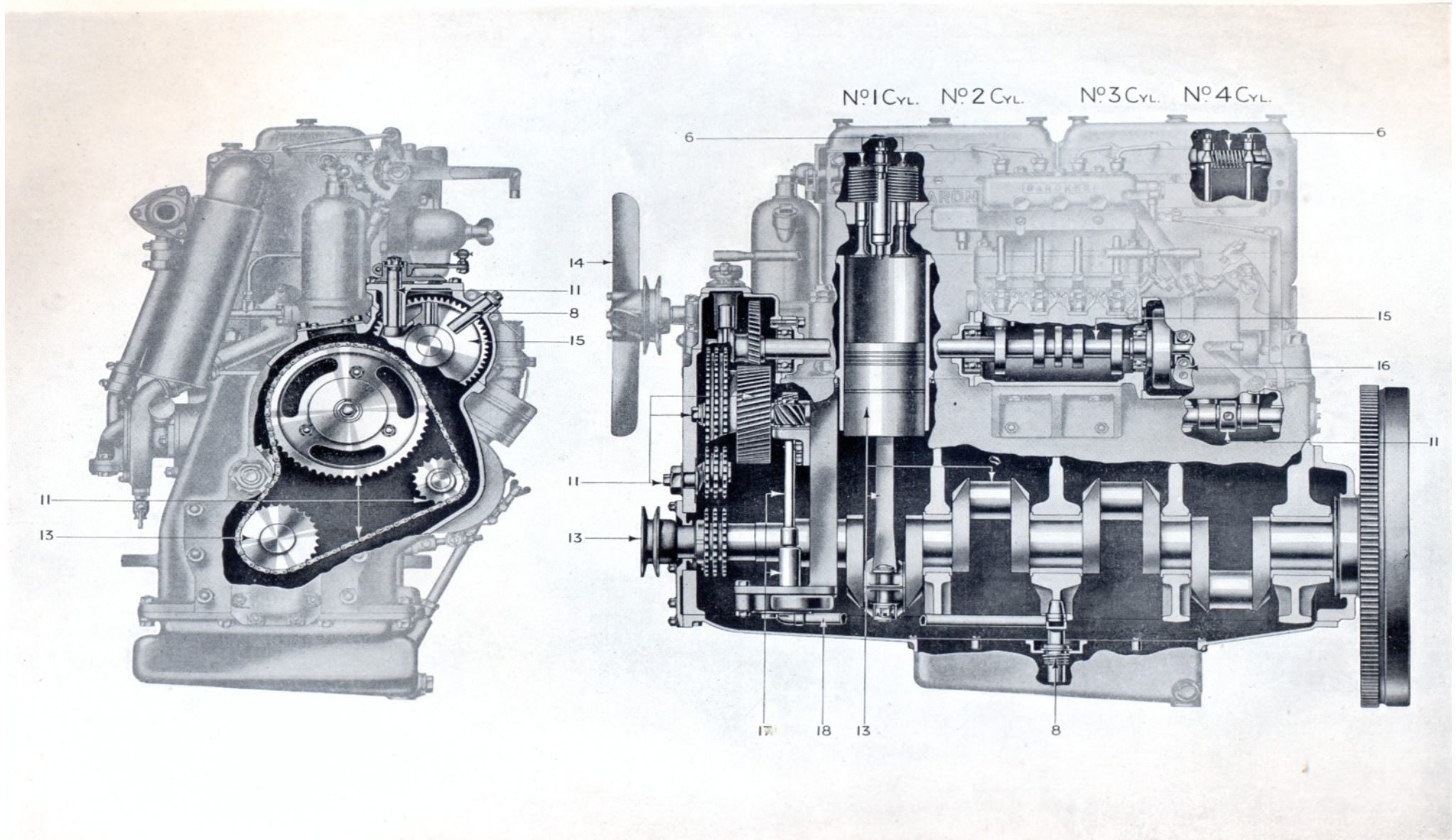


NOTE :—The numbers refer to Plates and not to Sections.

IMPORTANT :—This is a composite illustration embracing all states of design of the LK engine, and in no sense must it be regarded as a standard.

GARDNER

SECTIONAL VIEW OF LK ENGINE—PLATE 3

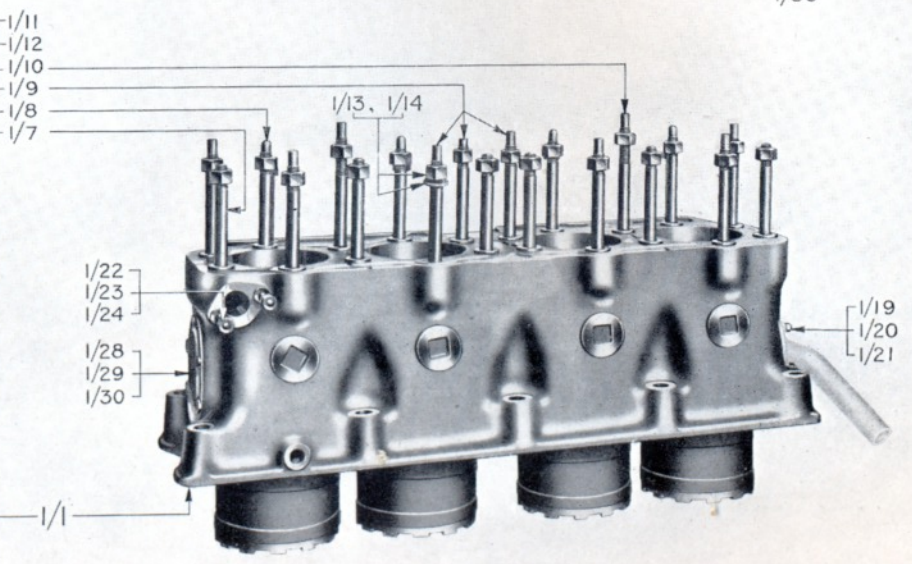
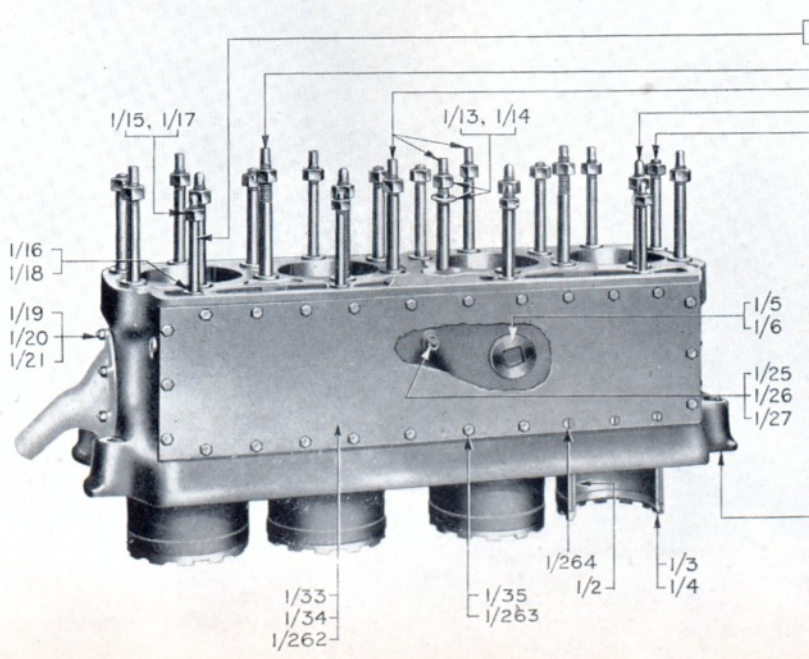
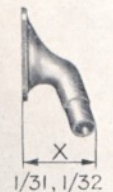
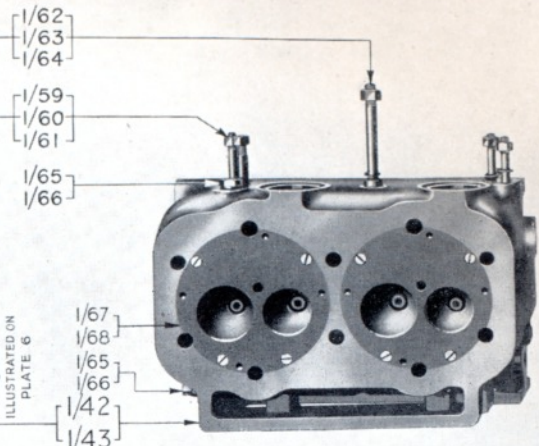
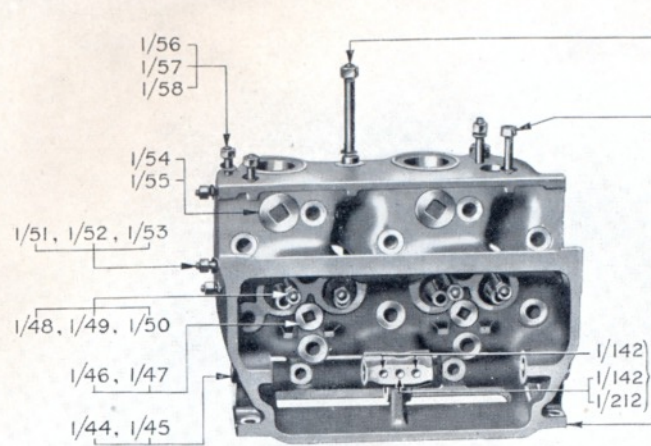


NOTE :—The numbers refer to Plates and not to Sections.

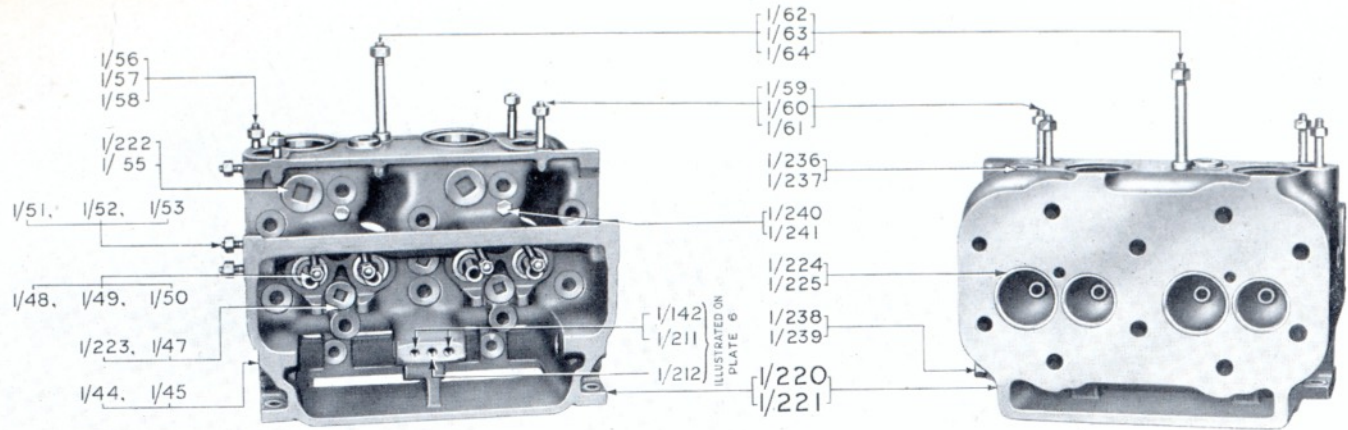
IMPORTANT :—This is a composite illustration embracing all states of design of the LK engine, and in no sense must be regarded as a standard.

GARDNER

ALUMINIUM CYLINDER BLOCK AND HEAD—SECTION 1—PLATE 4

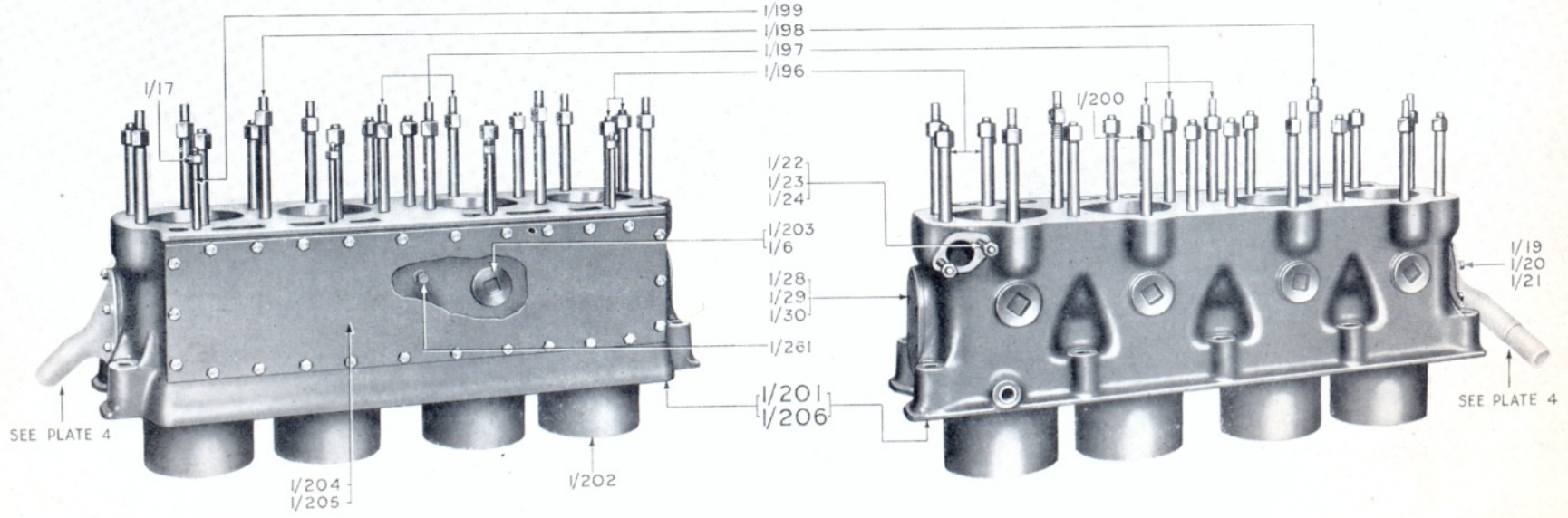


CAST IRON CYLINDER BLOCK AND HEAD—SECTION 1—PLATE 4-1



UPPER SIDE VIEW OF PART N° 1/220

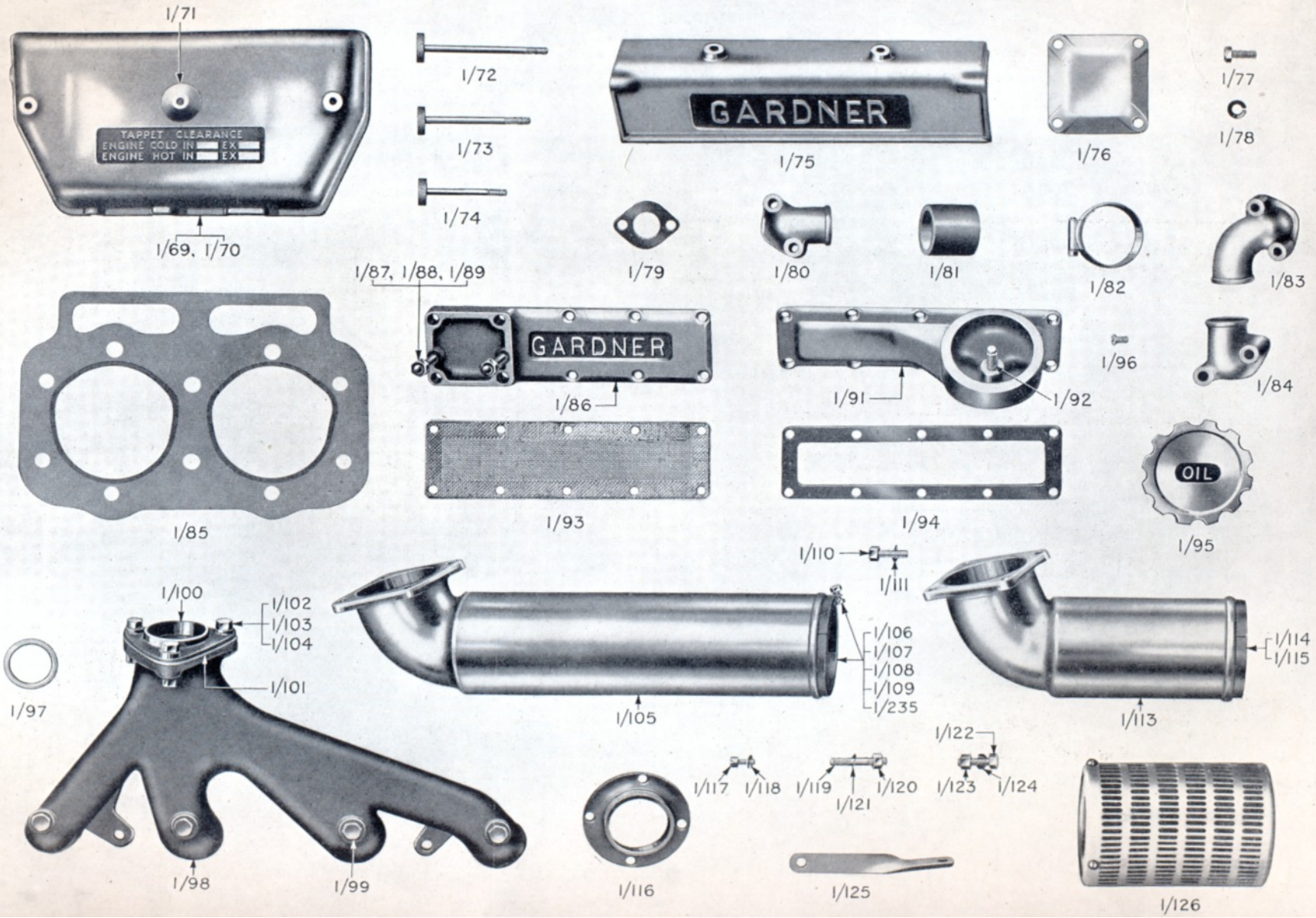
UNDERSIDE VIEW OF PART N° 1/221



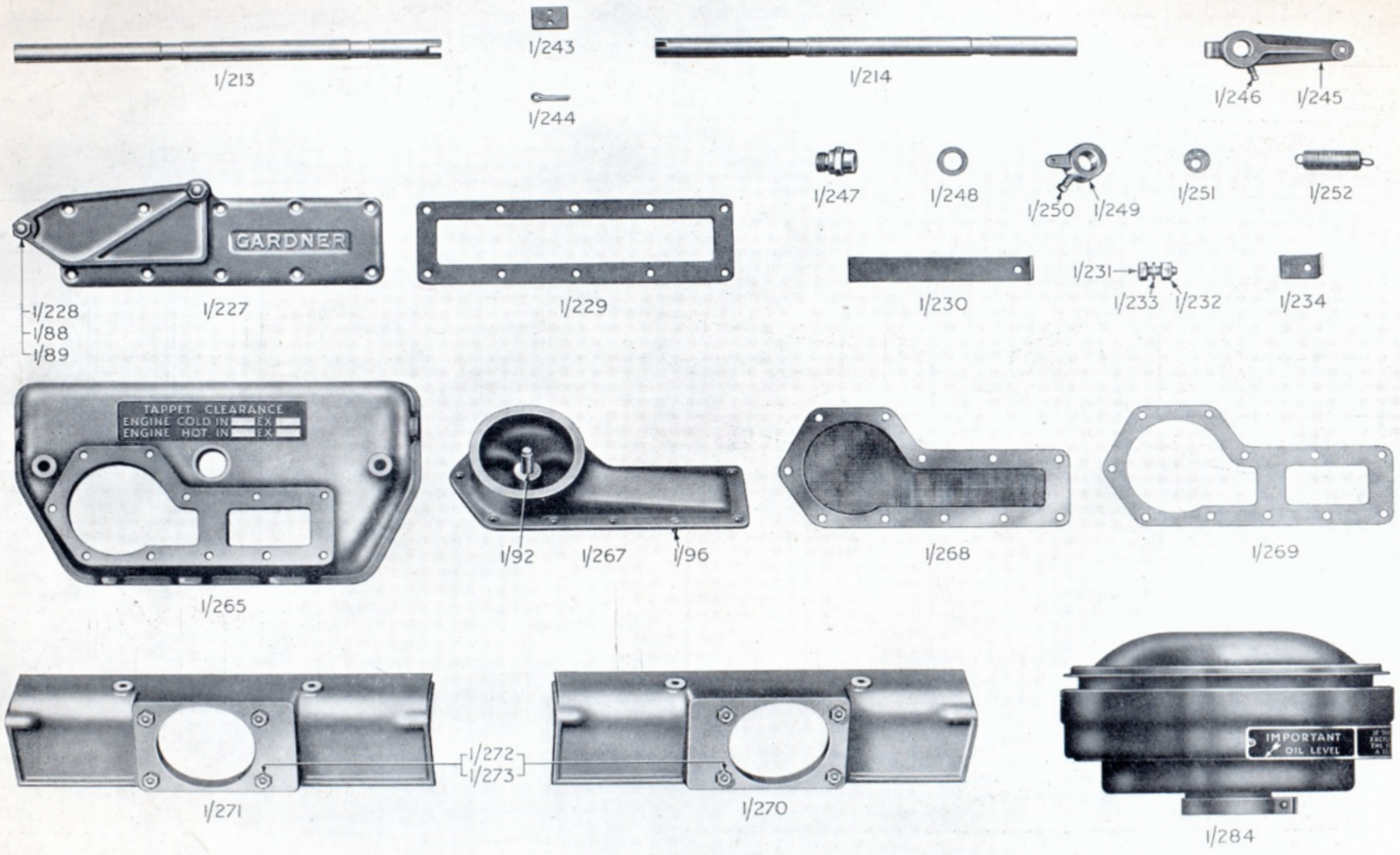
SEE PLATE 4

SEE PLATE 4

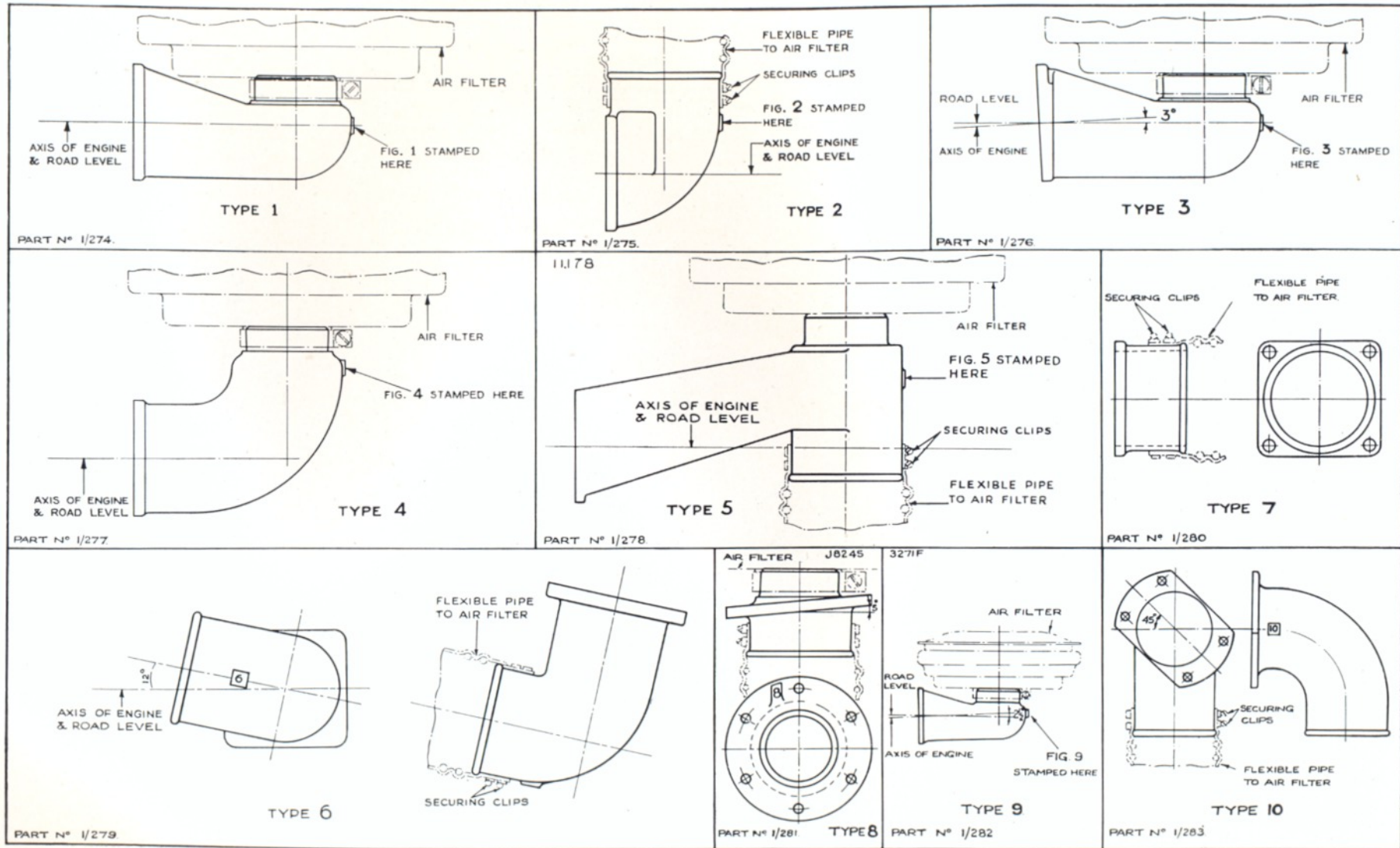
CYLINDER HEAD DETAILS—SECTION 1—PLATE 5



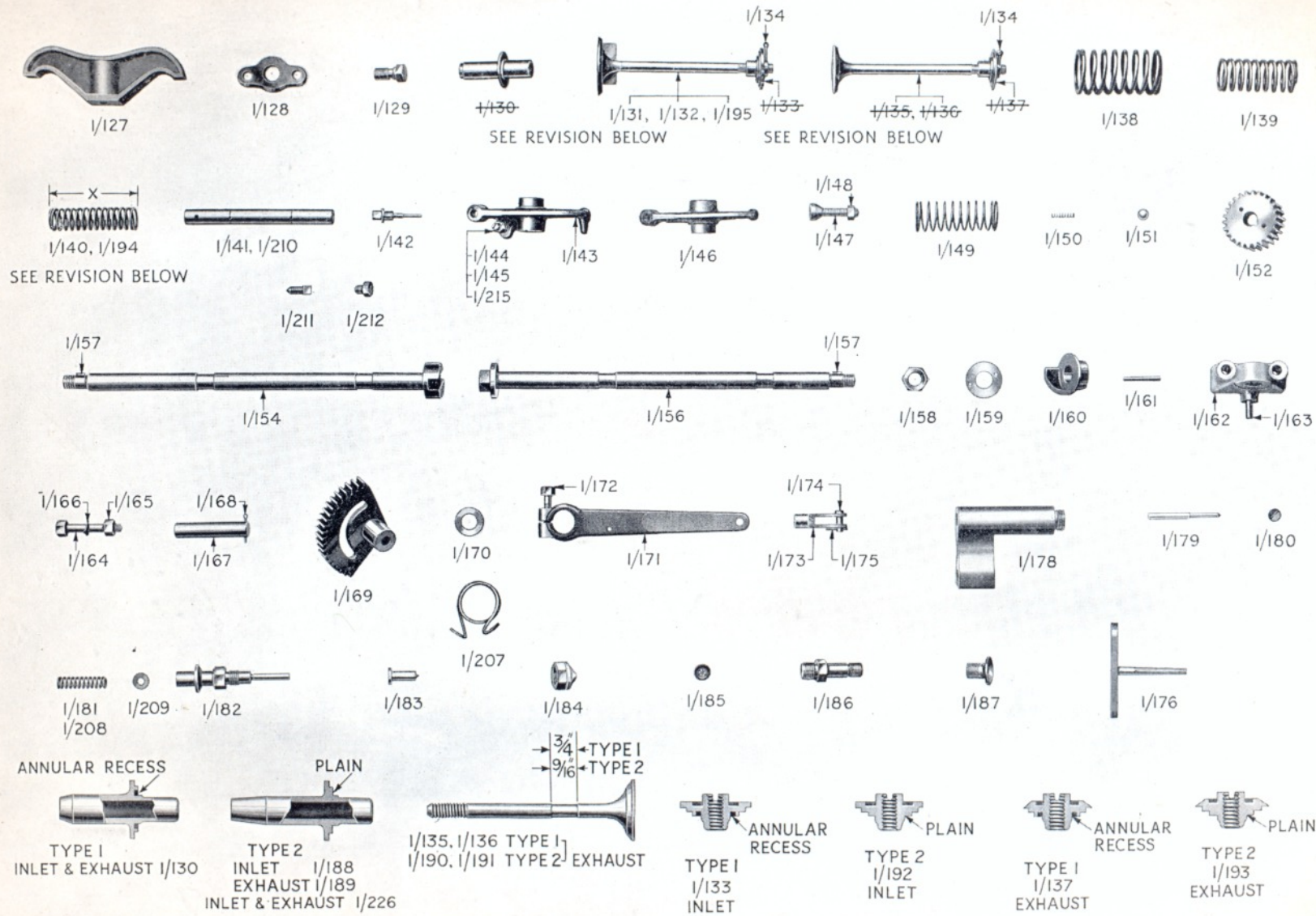
CYLINDER HEAD DETAILS—SECTION 1—PLATE 5-1



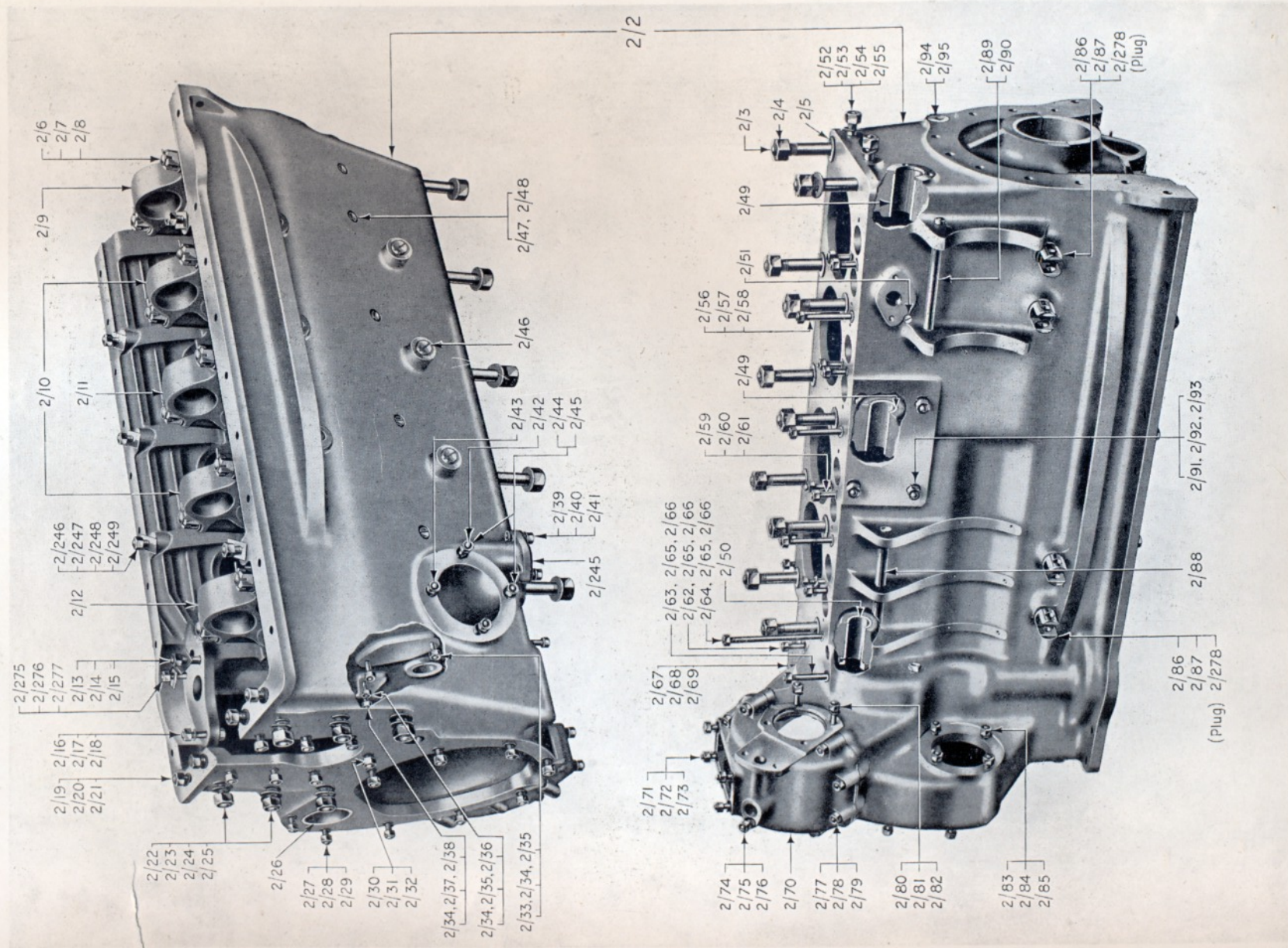
AIR FILTER ADAPTERS—SECTION 1—PLATE 5-2



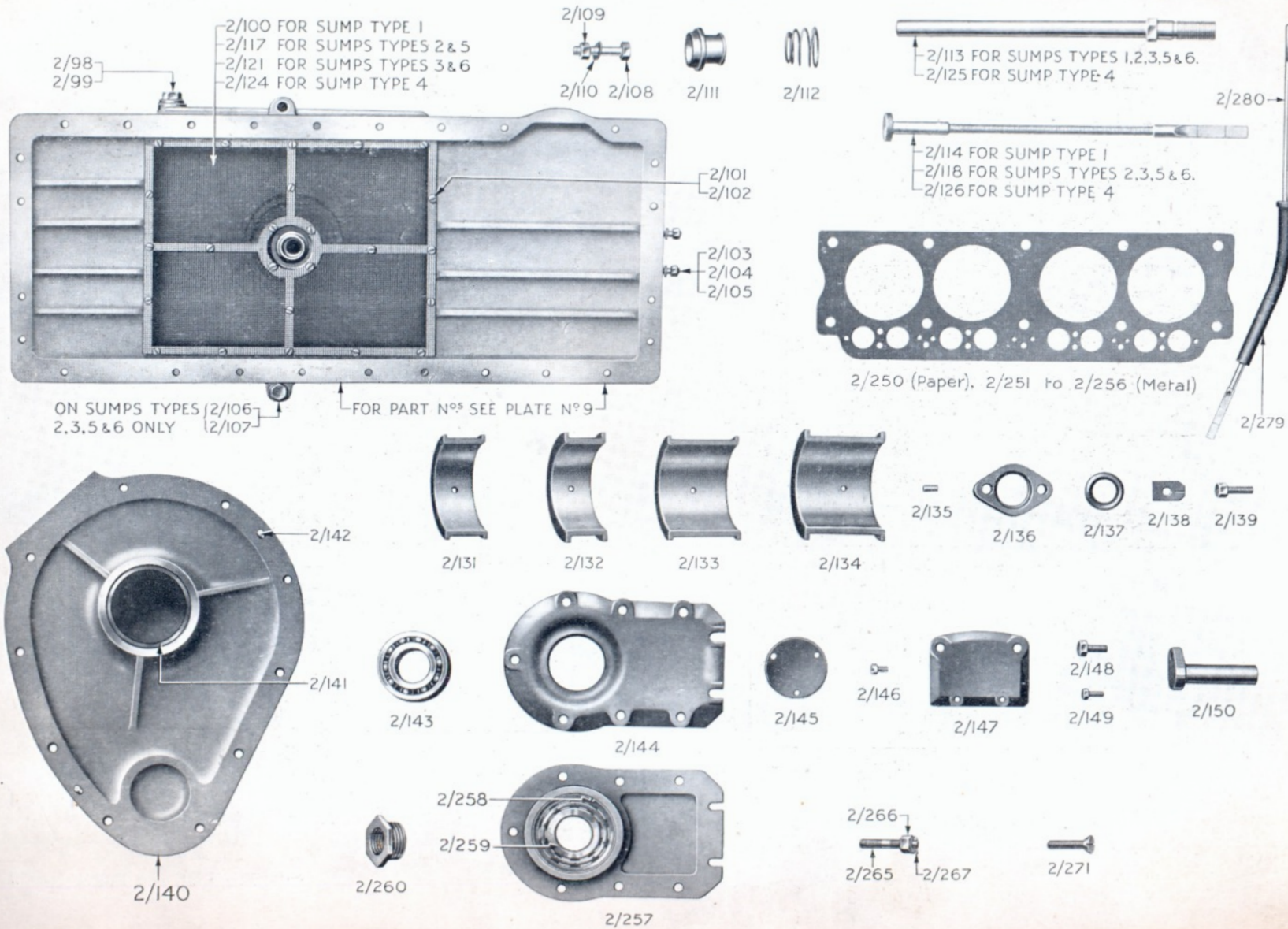
CYLINDER HEAD DETAILS—SECTION 1—PLATE 6



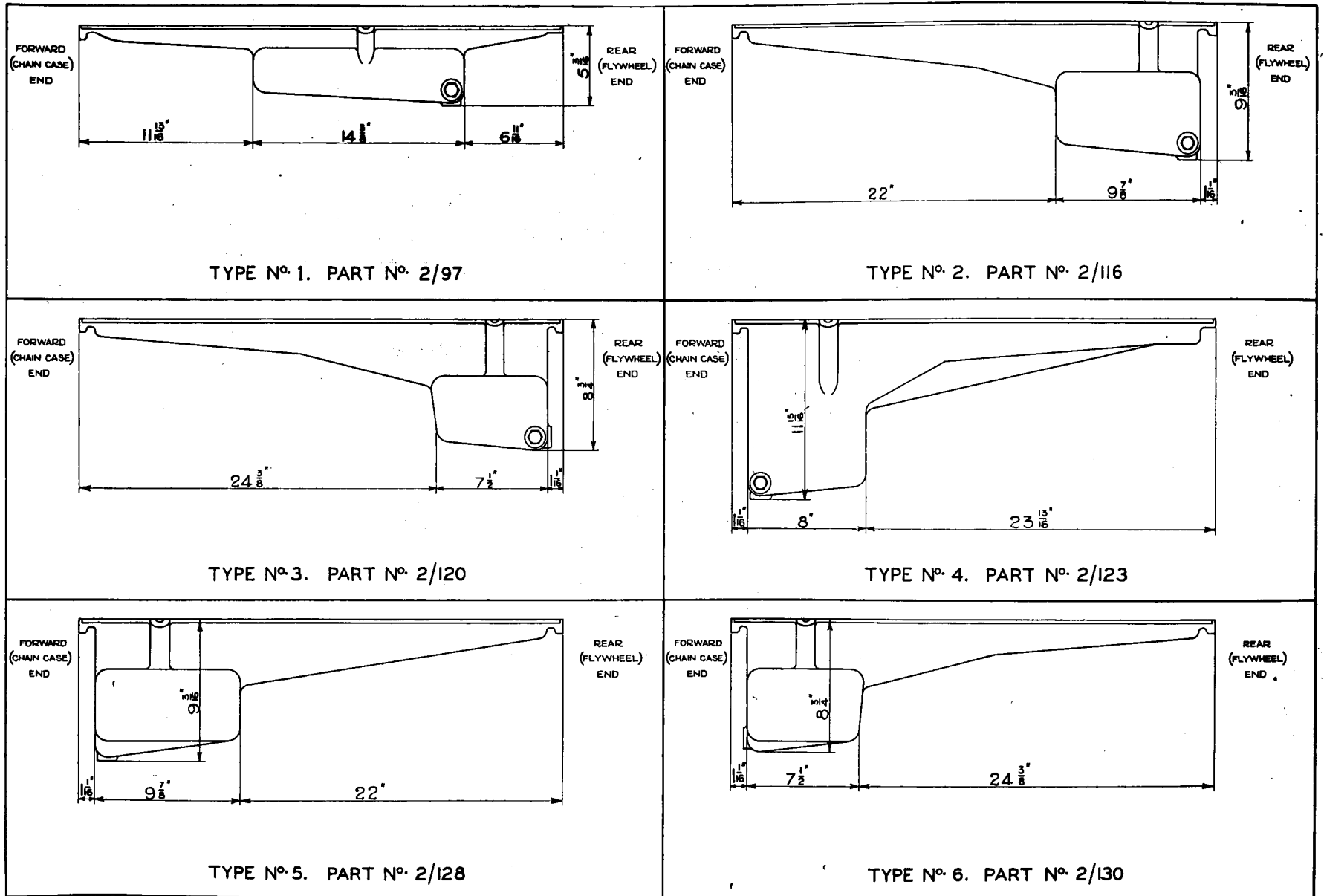
CRANKCASE SECTION 2—PLATE 7



SUMP AND CRANKCASE DETAILS—SECTION 2—Plate 8

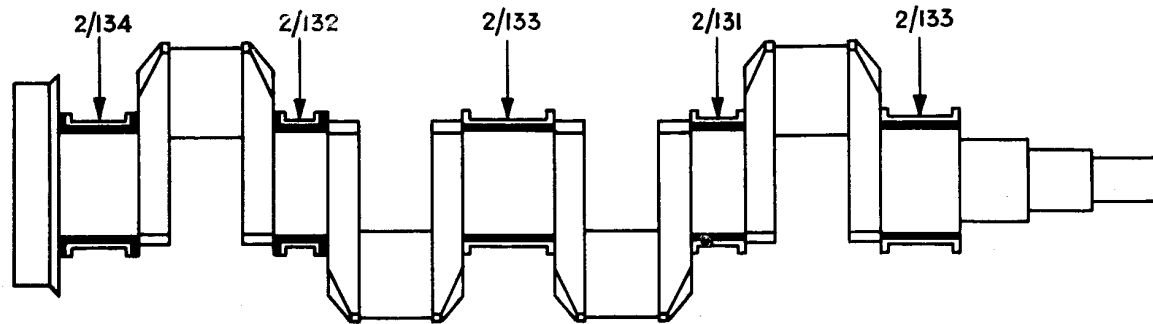


ALTERNATIVE TYPES OF LUBRICATING OIL SUMPS—SECTION 2—Plate 9





CRANKSHAFT BEARINGS—SECTION 2—Plate 10



2/9



2/10



2/11

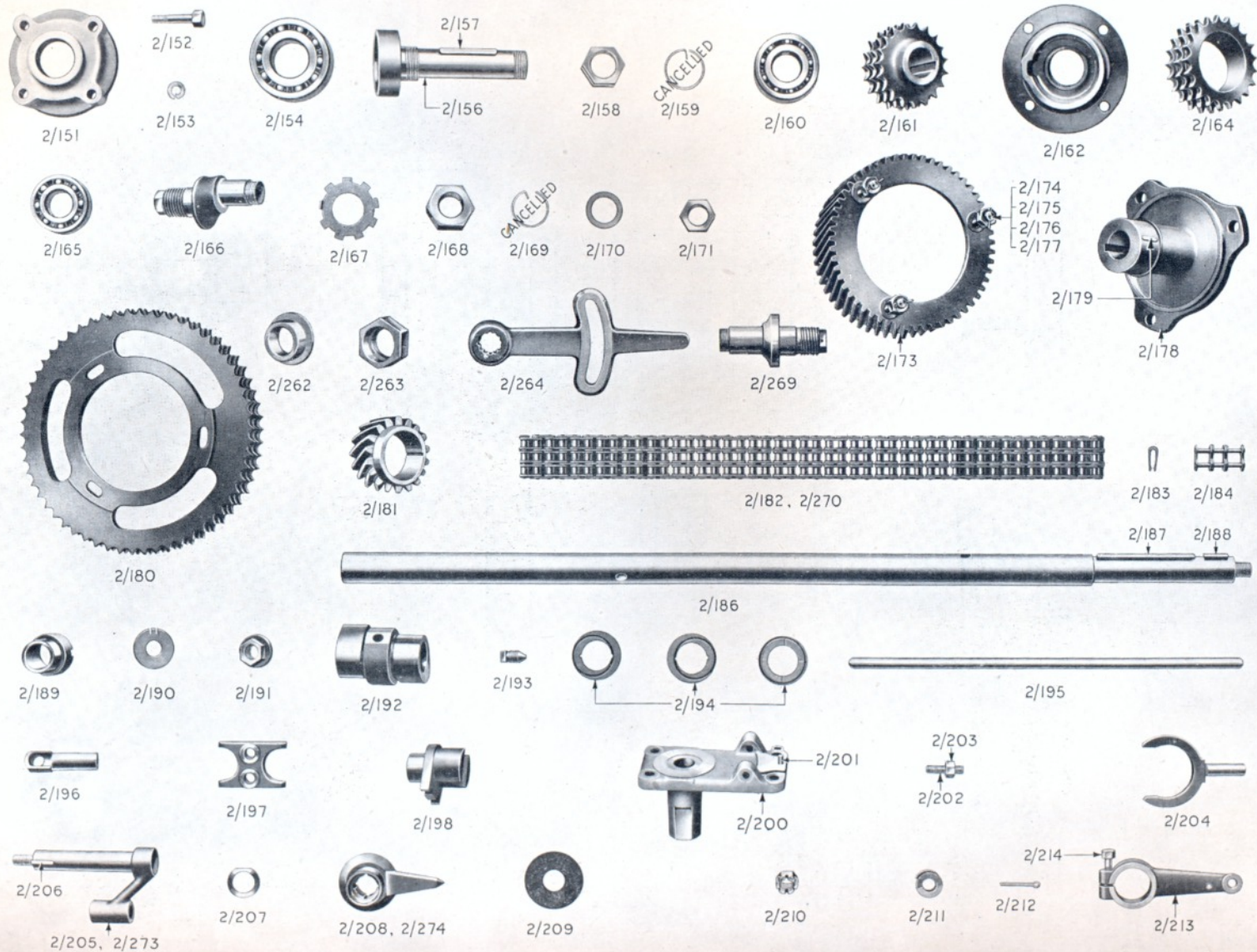


2/10



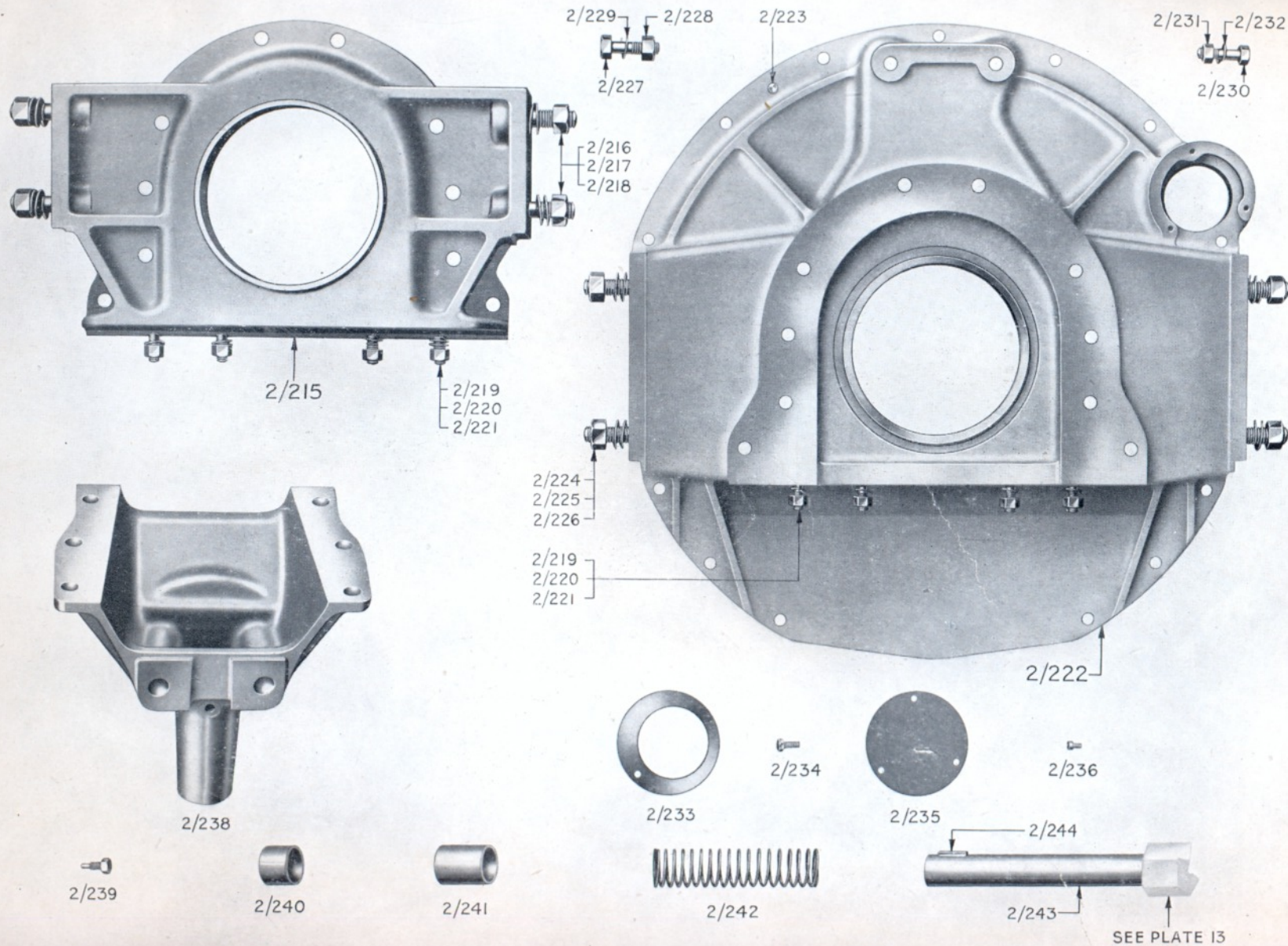
2/12

CHAIN DRIVE, VALVE MOTION WORK AND INJECTION CONTROL—SECTION 2—Plate 11



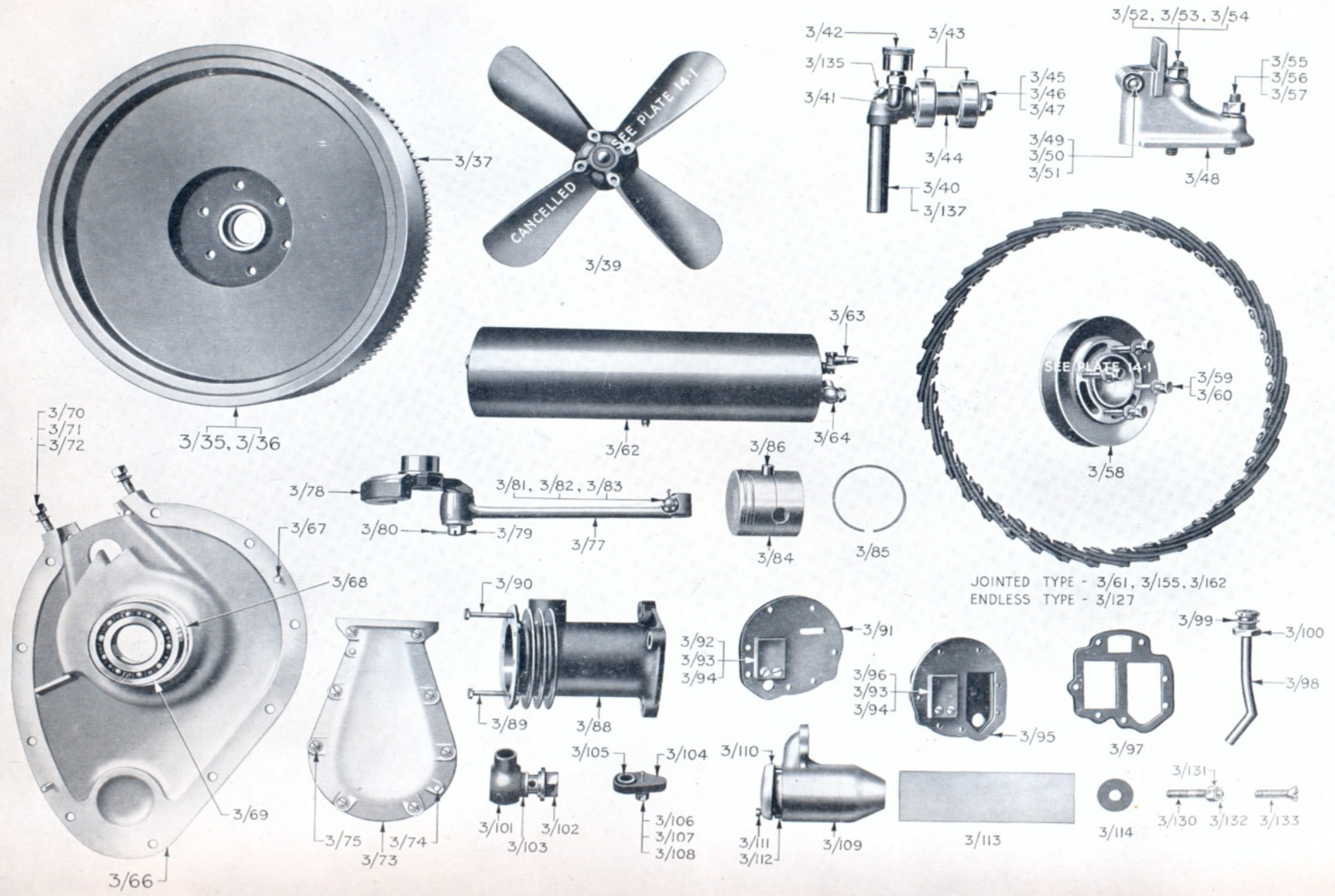
GARDNER

CRANKCASE END PLATES, FORWARD SUPPORT AND STARTING SHAFT DETAILS—SECTION 2—Plate 12



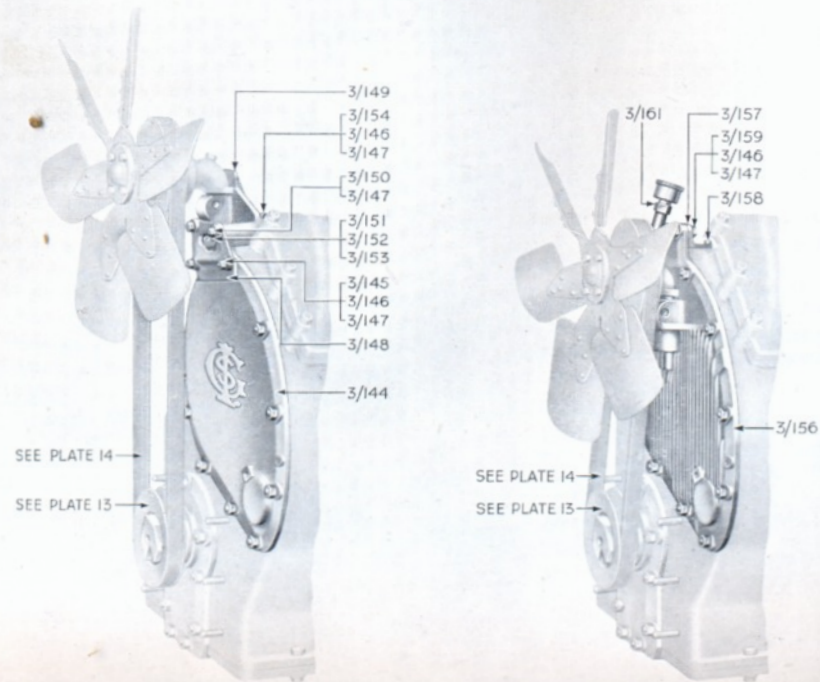
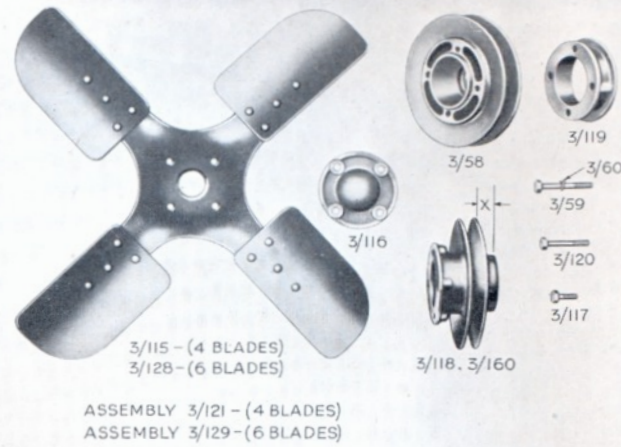
GARDNER

FLYWHEEL, FAN AND EXHAUSTER—SECTION 3—Plate 14



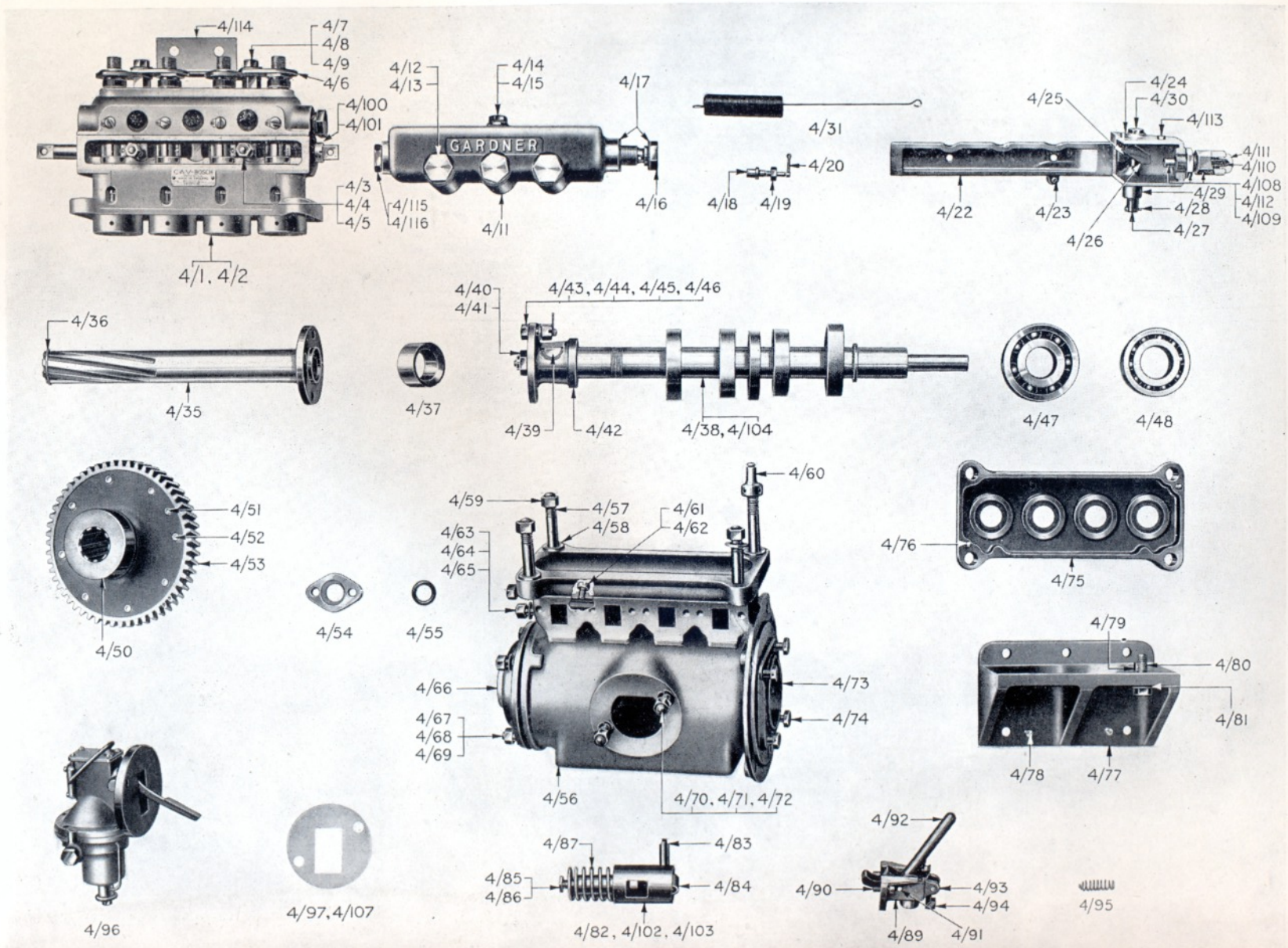
GARDNER

FAN DETAILS—SECTION 3—Plate 14·1



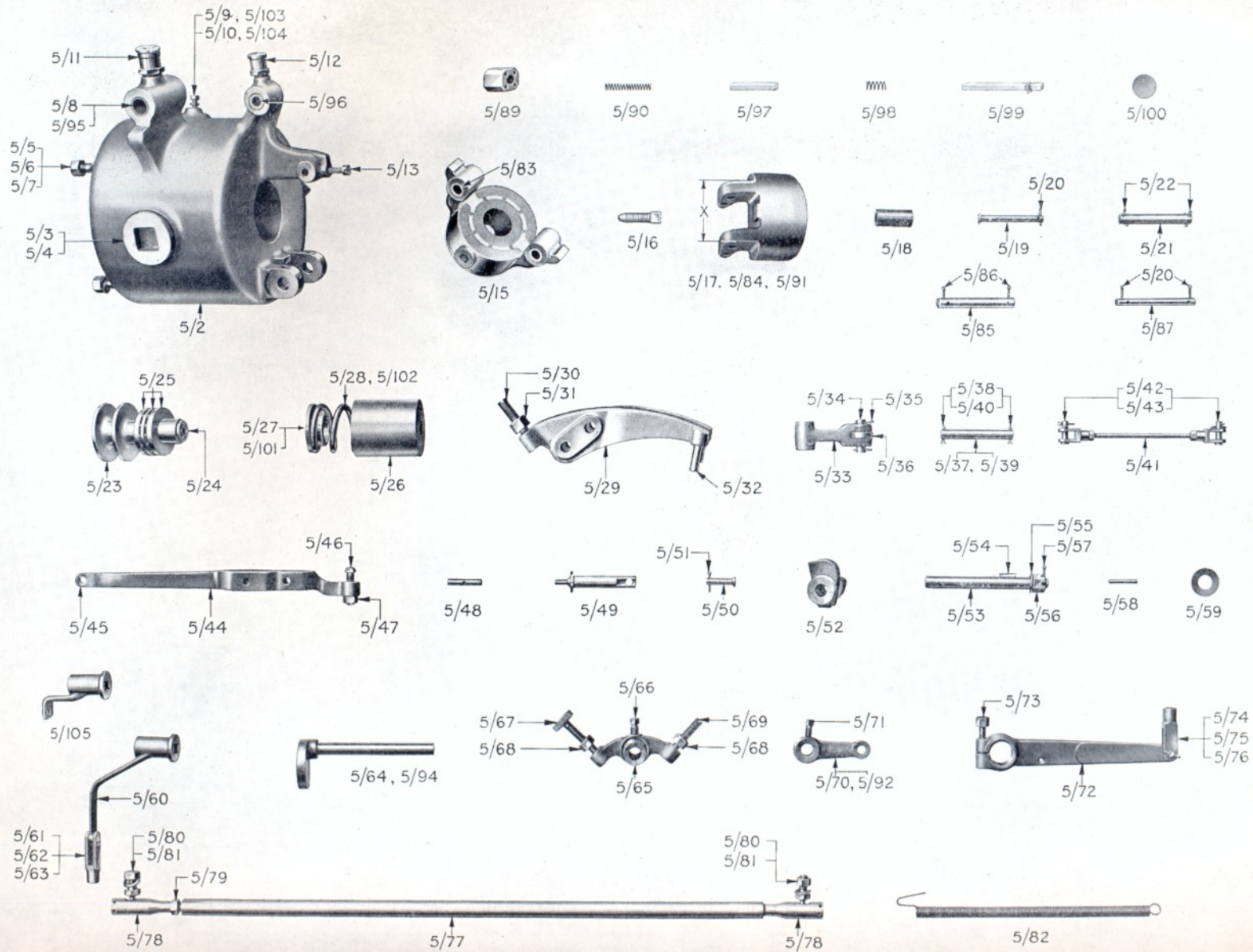
GARDNER

FUEL PUMP, FUEL PUMP MOTION WORK AND FUEL LIFT PUMP—SECTION 4—Plate 15

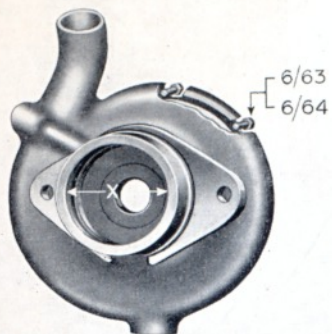


GARDNER.

GOVERNOR—SECTION 5—Plate 16



LUBRICATING OIL PUMP, STRAINERS, THERMOSTAT AND WATER PUMP—SECTION 6—Plate 17-1



6/130, 6/162



REAR VIEW OF
6/131, 6/132,
6/150, 6/151.



6/131



6/132



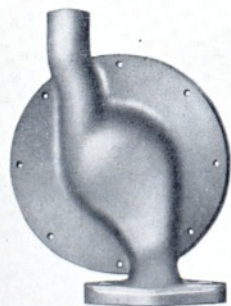
6/150



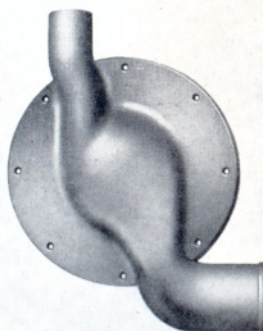
6/141



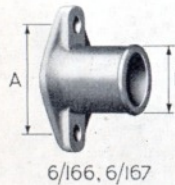
6/163



6/151



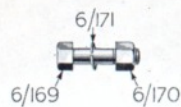
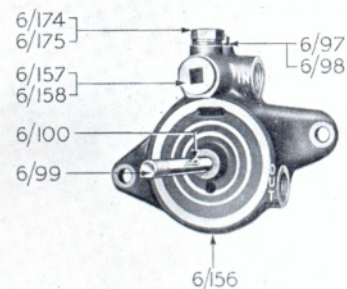
6/165



6/166, 6/167



6/168



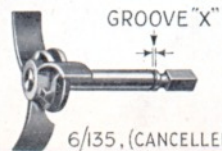
6/169 6/170



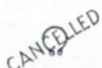
6/133



6/134



6/135, (CANCELLED)
6/143



6/136



6/137



6/138



6/139



6/140



6/142

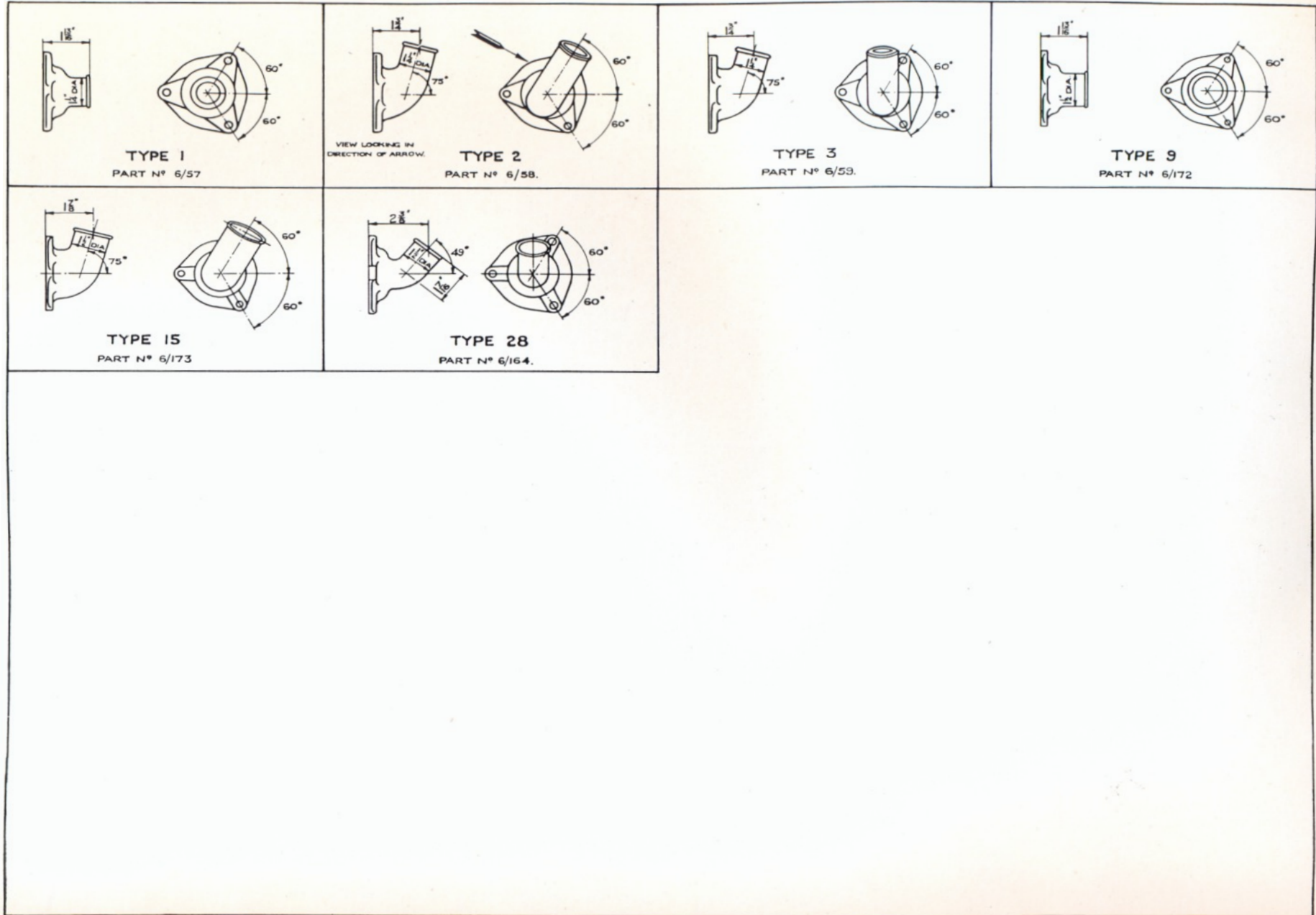


6/144

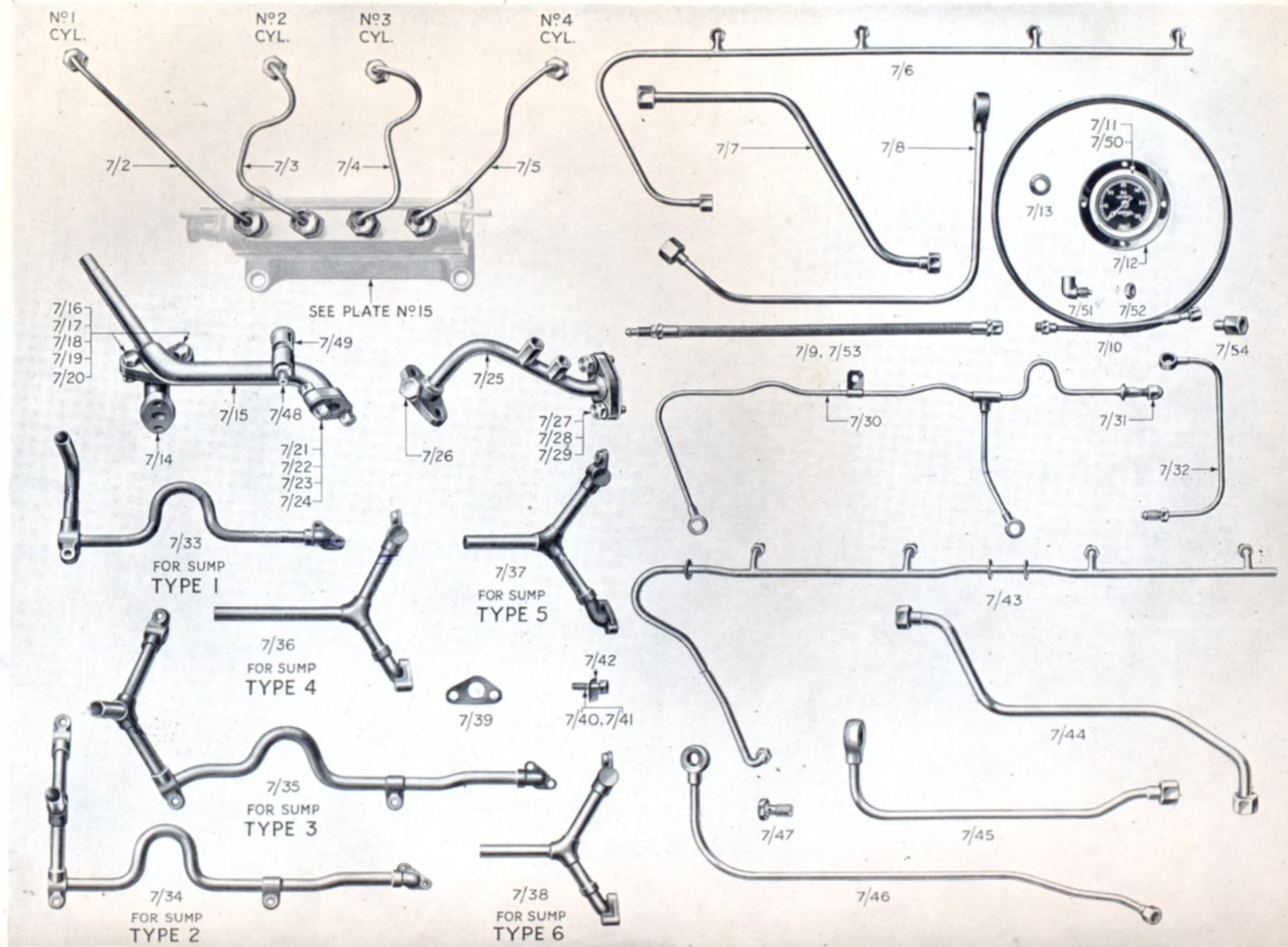


6/145

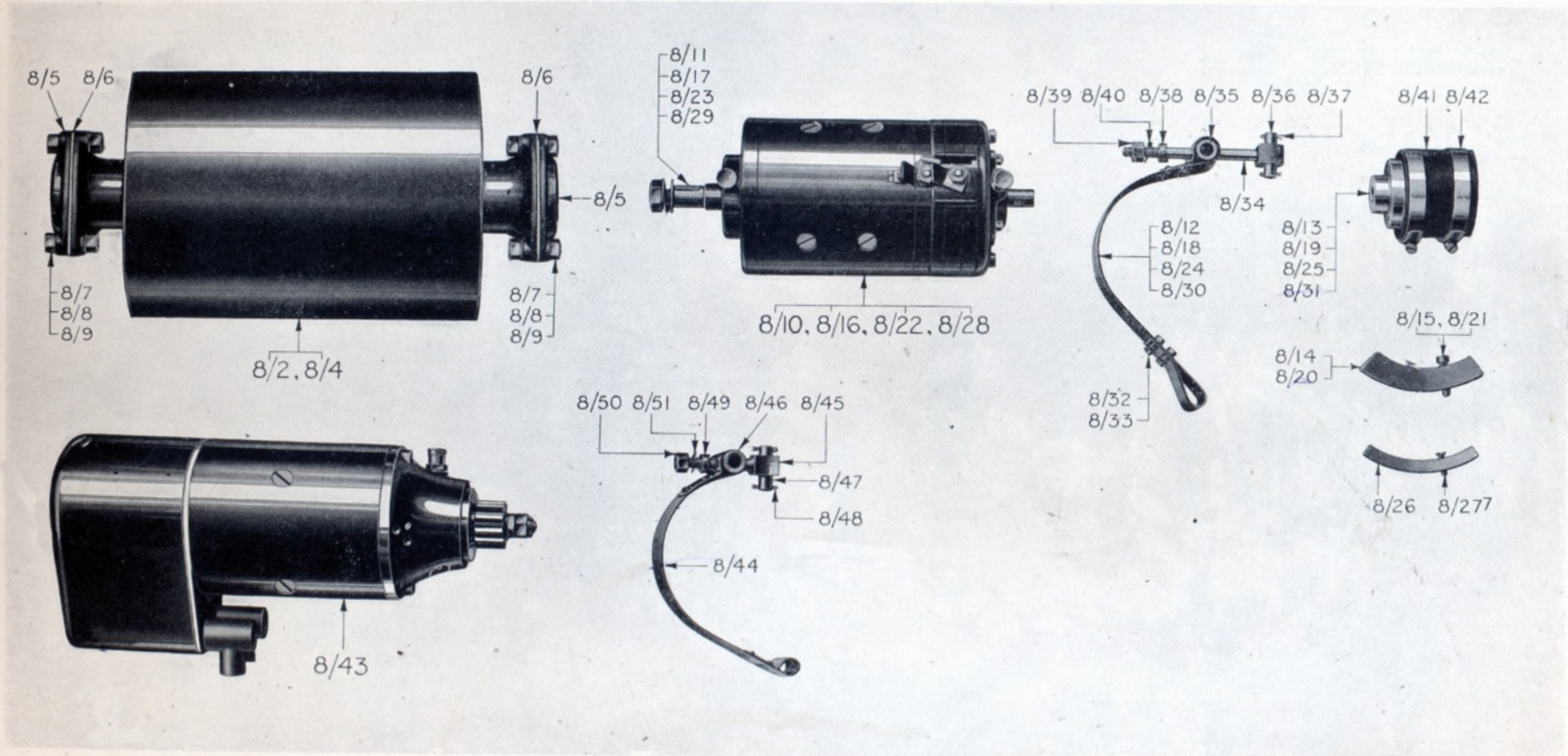
WATER OUTLET CONNECTIONS—SECTION 6—Plate 17.2



FUEL AND LUBRICATING OIL PIPES—SECTION 7—Plate 18



EXHAUSTER SILENCER, DYNAMO AND ELECTRIC STARTER—SECTION 8—Plate 19



GARDNER

STANDARD SPARES, ACCESSORIES AND SPANNERS—SECTION 9—Plate 20

